

TECHNICAL SHEET

Standing frame



CE

*Italian Ministry of Health Medical devices database
Rep.No.2335220 - CND Y050202 - Basic UDI-DI 805050779003AH*

Standing frame **Wally** manufactured by BIEMME Group S.r.l. from Reggio Emilia (Italy) has been designed to allow the child to exercise the upright position, **prone or supine**, according to the chosen therapeutic targets.

It is available in three sizes.

Technical characteristics of the device			M1	M2	M3
User's age	yrs		1-5	5-13	10-14
User's height	cm		50-95	90-120	100-140
Maximum user's weight	kg		40	45	50
MD weight	kg		23	26	36
Height adjustment piston force	N		900	1100	1100
Tilt-in-space piston force	N		600	600	600
A	Total length	cm	77-84	77-90	78-94
B	Total width	cm	66-68	68-74	76-79
C	Distance tilt-in-space juncture to floor	cm	40-90	40-90	40-90
D	Maximum inclination angle	°	90°	90°	90°
Chest supports					
E1-E2	Backrest support	cm	16x12	21x16	20x25
F1-F2	Lateral supports	cm	10x6	15x10	18x10
G	Lateral supports distance (min-max)	cm	16-26	21-36	27-40
H	Lateral supports inclination angle	°	da -35° a +35° [70°]	da -35° a +35° [70°]	da -35° a +35° [70°]
I	Headrest height	cm	15	15	15
Knee supports					
J	Adduction/abduction of knee cups	°	55°	55°	55°
K	Prone/supination of knee cup	°	da -25° a +25° [50°]	da -25° a +25° [50°]	da -25° a +25° [50°]
L1	Height of knee cup	cm	6	6	6
L2	Width of knee cup	cm	11	11	11
M	Intra/extra rotation of knee cups	°	da -40° a +40° [80°]	da -40° a +40° [80°]	da -40° a +40° [80°]
N	Depth position of knee cups	cm	0-4	0-4	0-4
O	Flexion/extension of knee cups	°	da -30° a +30° [60°]	da -30° a +30° [60°]	da -30° a +30° [60°]
Foot supports					
P	Abduction/adduction of footrests	cm	15-36	15-36	15-44
Q	Prone/supination of footrests	°	da -25° a +25° [50°]	da -25° a +25° [50°]	da -25° a +25° [50°]
R1	Internal width of footrest	cm	6	7	9.5
R2	Internal length of footrest	cm	17	20	24.5
S	Intra/extra rotation of footrest	°	da -40° a +40° [80°]	da -40° a +40° [80°]	da -40° a +40° [80°]
U	Flexion/extension of footrest	°	da -30° a +30° [60°]	da -30° a +30° [60°]	da -30° a +30° [60°]
Tray					
T1	Width of tray	cm	55	55	63
T2	Depth of tray	cm	53	53	57
T3	Width of tray recess	cm	27	27	40
T4	Inclination angle	°	da -20° a +40° [60°]	da -20° a +40° [60°]	da -20° a +40° [60°]

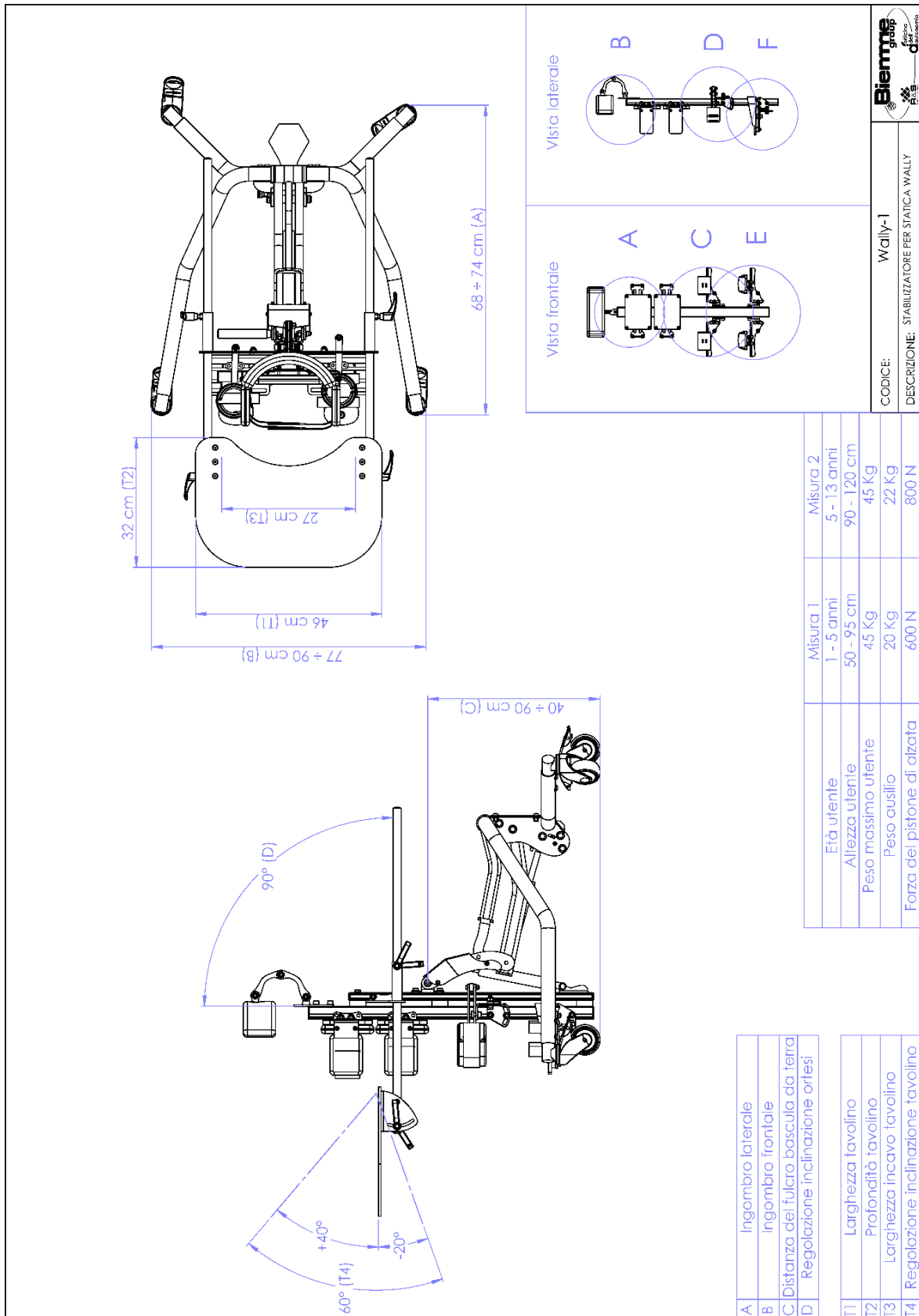
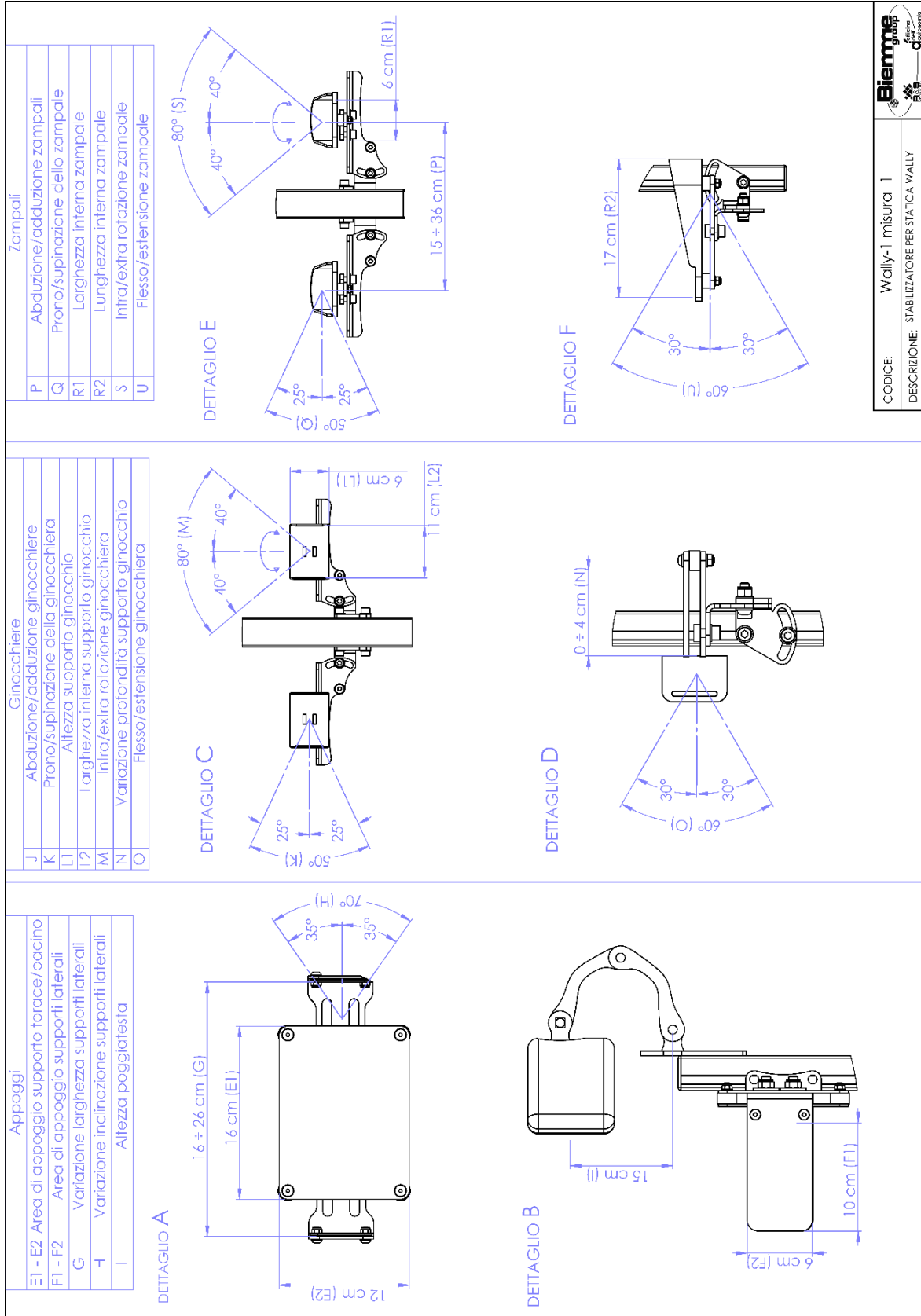


Fig. 1 Technical drawing Wally – general assembly



Biemme
group

CODICE: Wally-1 misurata 1
DESCRIZIONE: STABILIZZATORE PER STATICA WALLY

Fig. 2 Adjustments of segments Wally